



REPLACEMENT PARTS INC.

REPLACEMENT WHEEL CATALOG

**13 OHIO LOOP
DONALDSON INDUSTRIAL AIRPARK
GREENVILLE, SC 29605
(864)299-3000 * FAX 299-3021
www.replacement-partsinc.com**

REPLACEMENT PARTS INC.

**13 OHIO LOOP
GREENVILLE SC 29605**

www.replacement-partsinc.com

(864)299-3000 *FAX 299-3021

Welcome! This catalog is presented to you with our compliments. We hope that you find it useful. The enclosed information is representative of the parts that we handle, but it by no means covers the full scope of our ability to serve your needs in material handling. We specialize in locating or reproducing obsolete, foreign, or hard to find parts. Our research is aided by our participation in a computerized national network. We also refurbish all types of hoists, cabs, and monotractors.

Please take a few moments to look over our catalog. It would be a pleasure to discuss with you your needs and demonstrate to you where your cost savings may lie.

Replacement Parts for the following manufacturers.

1. Louden
2. Cleveland Tramrail
3. Spanmaster
4. Twin City
5. American Monorail
6. P&H (Not in catalog)

Contact: John Ludwig

Sincerely,

John E. Ludwig

John E. Ludwig
President

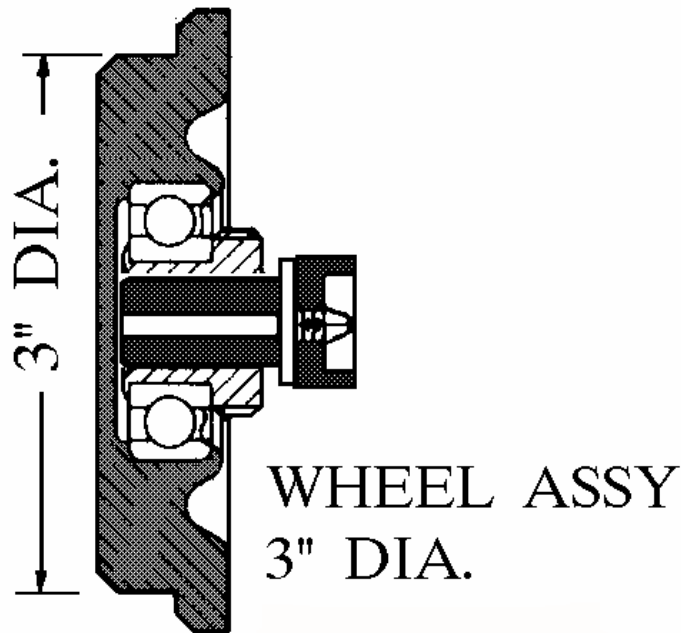
Established 1986
Replacement Parts Inc.

REPLACEMENT PARTS INC

Replacement Wheels

Designed to fit Twin City Trolleys 2T-750-2, 2T-1150-4 2T-850-2 and 2T-1200-4 (flanged wheel) on 2" track. Regreasable or Nonregreasable wheel assembly. Replacement Parts wheels are made from high strength steel or per customer's specifications and the treads and flanges are induction hardened to Rockwell 45 to 50. The wheel bearing bores are remachined after the wheels have been heat treated to assure proper concentricity. High quality precision ball or roller bearings are used on a machined steel axle to assure long life and easy rolling.

Replacement Parts New Part # WA123B4



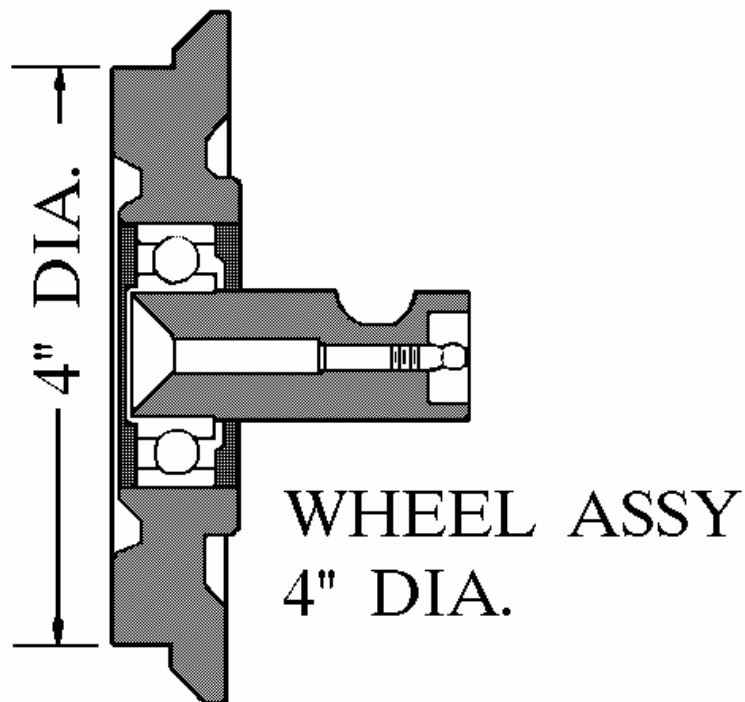
REF: Twin City Part Number - W123

REPLACEMENT PARTS INC

Replacement Wheels

Designed to fit Twin City Trolleys 2T-2000-2, 2T-2800-4 (flanged wheel) on 2" track.
Regreasable or Nonregreasable wheel assembly. Replacement Parts wheels are made from high strength steel or per customer's specifications and the treads and flanges are induction hardened to Rockwell 45 to 50. The wheel bearing bores are remachined after the wheels have been heat treated to assure proper concentricity. High quality precision ball or roller bearings are used on a machined steel axle to assure long life and easy rolling.

Replacement Parts New Part#WAA164B4



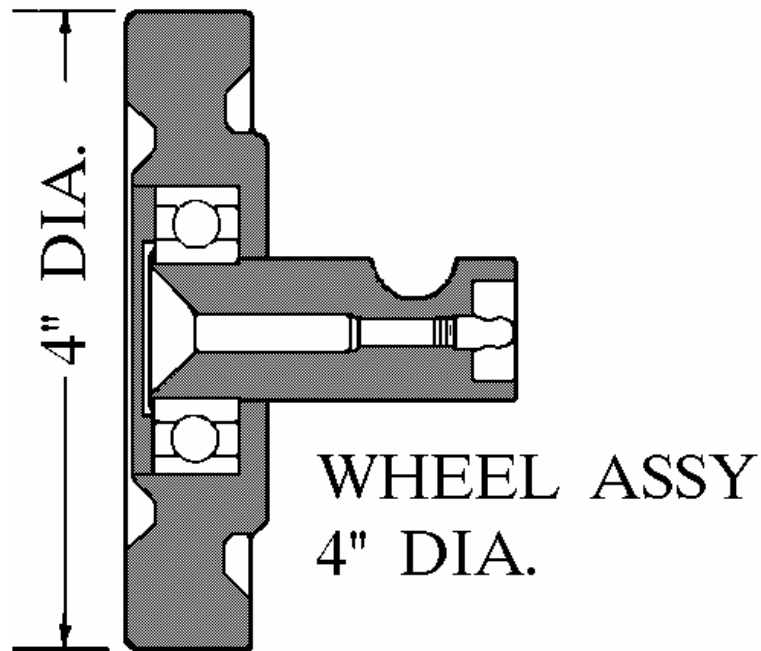
REF: Twin City Part Number - W164F

REPLACEMENT PARTS INC

Replacement Wheels

Designed to fit Twin City Trolleys 2T-2000-2SR, 2T-2800-4SR (flangeless wheel) on 2" track.
Regreasable or Nonregreasable wheel assembly. Replacement Parts wheels are made from high strength steel or per customer's specifications and the treads and flanges are induction hardened to Rockwell 45 to 50. The wheel bearing bores are remachined after the wheels have been heat treated to assure proper concentricity. High quality precision ball or roller bearings are used on a machined steel axle to assure long life and easy rolling.

Replacement Parts New Part #WA270B4



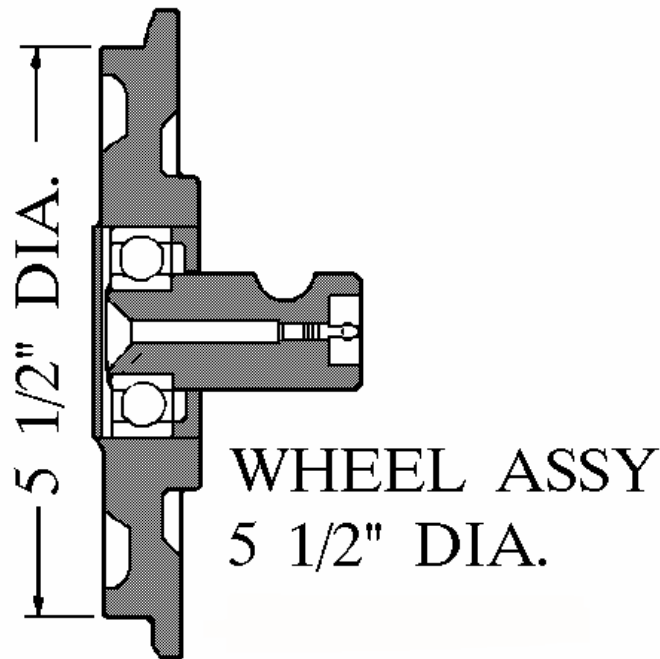
REF: Twin City Part Number - W164FA

REPLACEMENT PARTS INC

Replacement Wheels

Designed to fit Twin City Trolleys 2T-3000-2, 2T-4000-4 (flanged wheel) on 2" track.
Regreasable or Nonregreasable wheel assembly. Replacement Parts wheels are made from high strength steel or per customer's specifications and the treads and flanges are induction hardened to Rockwell 45 to 50. The wheel bearing bores are remachined after the wheels have been heat treated to assure proper concentricity. High quality precision ball or roller bearings are used on a machined steel axle to assure long life and easy rolling.

Replacement Parts New Part #WAE539B4



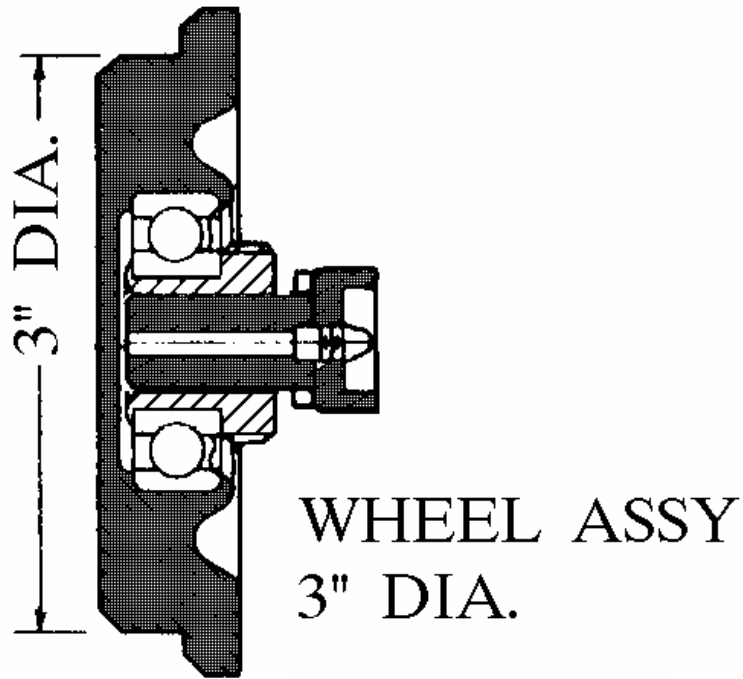
REF: Twin City Part Number - W539

REPLACEMENT PARTS INC

Replacement Wheels

Designed to fit Twin City Trolleys 3T-750-2, 3T-1150-4 (flanged wheel) on 3.25" track.
Regreasable or Nonregreasable wheel assembly. Replacement Parts wheels are made from high strength steel or per customer's specifications and the treads and flanges are induction hardened to Rockwell 45 to 50. The wheel bearing bores are remachined after the wheels have been heat treated to assure proper concentricity. High quality precision ball or roller bearings are used on a machined steel axle to assure long life and easy rolling.

Replacement Parts New Part #WA124B4



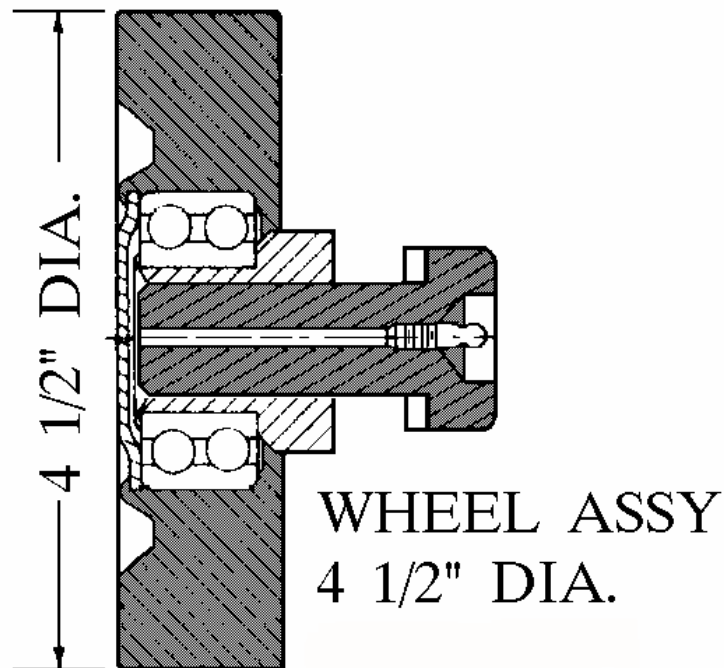
REF: Twin City Part Number - W124A

REPLACEMENT PARTS INC

Replacement Wheels

Designed to fit Twin City Trolleys 3T-2700-2SR, 3T-5400-4SR (flangeless wheel) on 3.25" track. Regreasable or Nonregreasable wheel assembly. Replacement Parts wheels are made from high strength steel or per customer's specifications and the treads and flanges are induction hardened to Rockwell 45 to 50. The wheel bearing bores are remachined after the wheels have been heat treated to assure proper concentricity. High quality precision ball or roller bearings are used on a machined steel axle to assure long life and easy rolling.

Replacement Parts New Part #WA2840B4



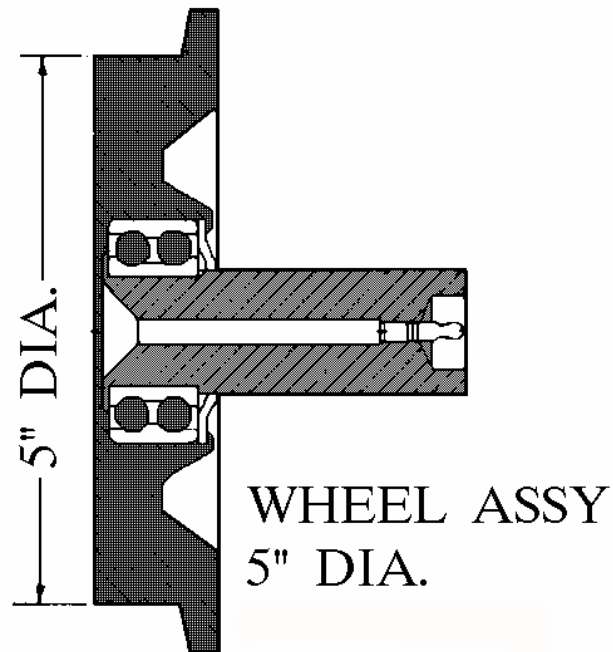
REF: Twin City Part Number - W284FA

REPLACEMENT PARTS INC

Replacement Wheels

Designed to fit Twin City Trolleys 3T-4200-2, 3T-8400-4 (flanged wheel) on 3.25" track.
Regreasable or Nonregreasable wheel assembly. Replacement Parts wheels are made from high strength steel or per customer's specifications and the treads and flanges are induction hardened to Rockwell 45 to 50. The wheel bearing bores are remachined after the wheels have been heat treated to assure proper concentricity. High quality precision ball or roller bearings are used on a machined steel axle to assure long life and easy rolling.

Replacement Parts New Part # WAMA7B4



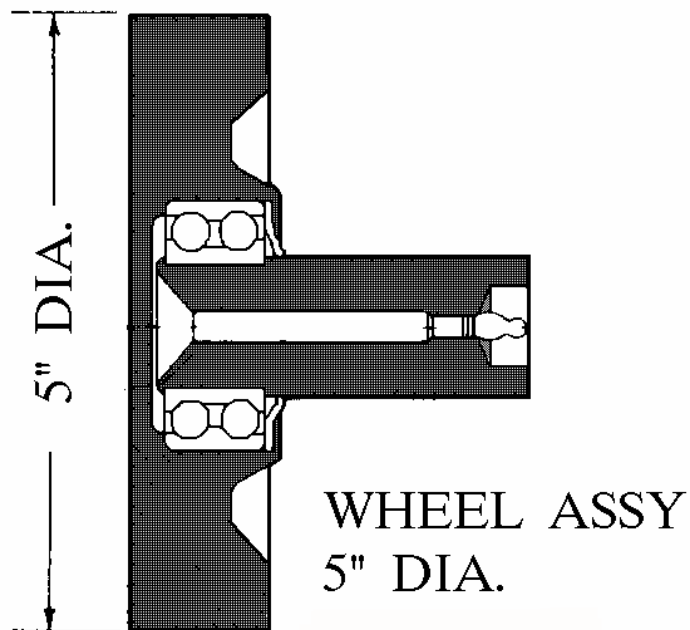
REF: Twin City Part Number - W7

REPLACEMENT PARTS INC

Replacement Wheels

Designed to fit Twin City Trolleys 3T-4200-2SR, 3T-8400-4SR (flangeless wheel) on 3.25" track. Regreasable or Nonregreasable wheel assembly. Replacement Parts wheels are made from high strength steel or per customer's specifications and the treads and flanges are induction hardened to Rockwell 45 to 50. The wheel bearing bores are remachined after the wheels have been heat treated to assure proper concentricity. High quality precision ball or roller bearings are used on a machined steel axle to assure long life and easy rolling.

Replacement Parts New Part # WAMA57-7B4



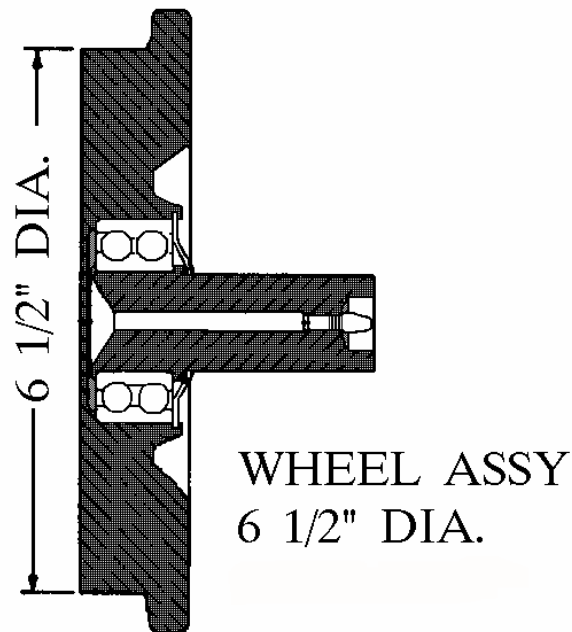
REF: Twin City Part Number - W57-7

REPLACEMENT PARTS INC

Replacement Wheels

Designed to fit Twin City Trolleys 3T-6600-2, 3T-13200-4 (flanged wheel) on 3.25" track.
Regreasable or Nonregreasable wheel assembly. Replacement Parts wheels are made from high strength steel or per customer's specifications and the treads and flanges are induction hardened to Rockwell 45 to 50. The wheel bearing bores are remachined after the wheels have been heat treated to assure proper concentricity. High quality precision ball or roller bearings are used on a machined steel axle to assure long life and easy rolling.

Replacement Parts New Part # WAME20B4



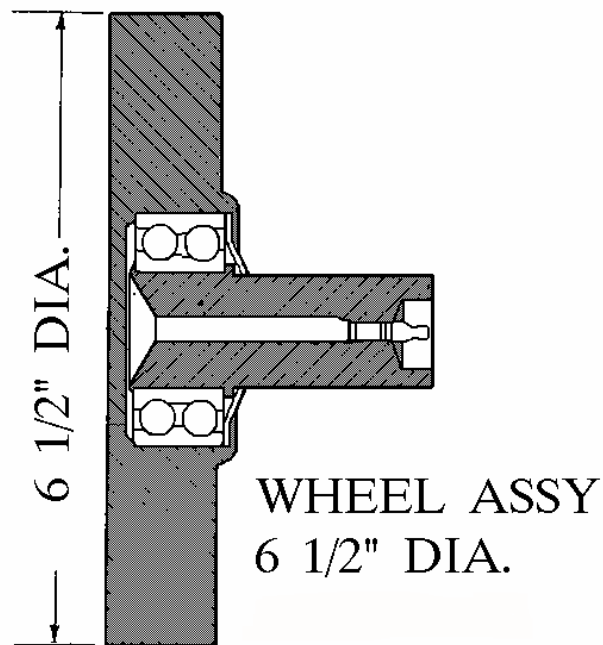
REF: Twin City Part Number - W20

REPLACEMENT PARTS INC

Replacement Wheels

Designed to fit Twin City Trolleys 3T-6600-2SR, 3T-13200-4SR (flangeless wheel) on 3.25" track. Regreasable or Nonregreasable wheel assembly. Replacement Parts wheels are made from high strength steel or per customer's specifications and the treads and flanges are induction hardened to Rockwell 45 to 50. The wheel bearing bores are remachined after the wheels have been heat treated to assure proper concentricity. High quality precision ball or roller bearings are used on a machined steel axle to assure long life and easy rolling.

Replacement Parts New Part # WAME192B4



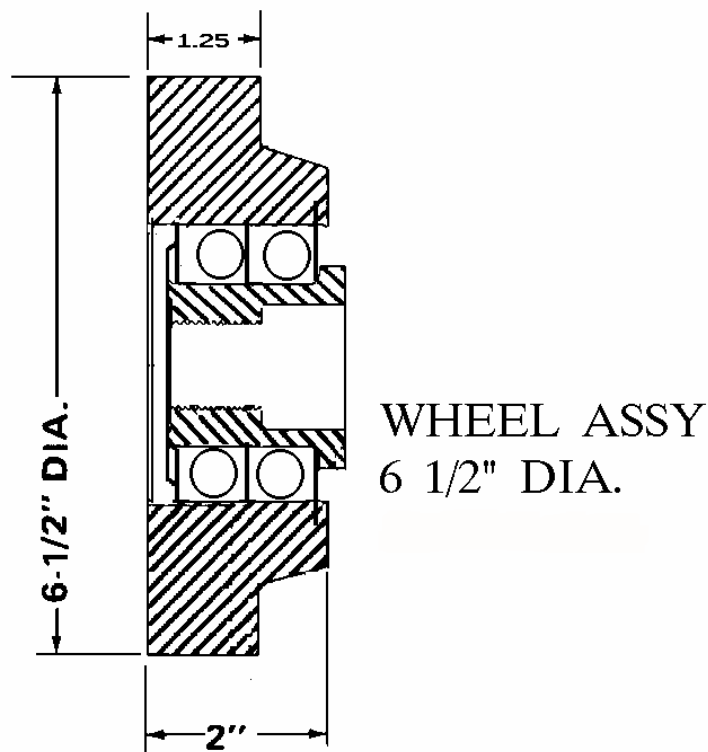
REF: Twin City Part Number - W-192-4

REPLACEMENT PARTS INC

Replacement Wheels

Designed to fit Twin City Trolleys 3T-9000-2SR, 3T-18000-4SR (flangeless wheel) on 3.25" track. Regreasable or Nonregreasable wheel assembly. Replacement Parts wheels are made from high strength steel or per customer's specifications and the treads and flanges are induction hardened to Rockwell 45 to 50. The wheel bearing bores are remachined after the wheels have been heat treated to assure proper concentricity. High quality precision ball or roller bearings are used on a machined steel axle to assure long life and easy rolling.

Replacement Parts New Part # WA10192B4



REF: Twin City Part Number - W-10192

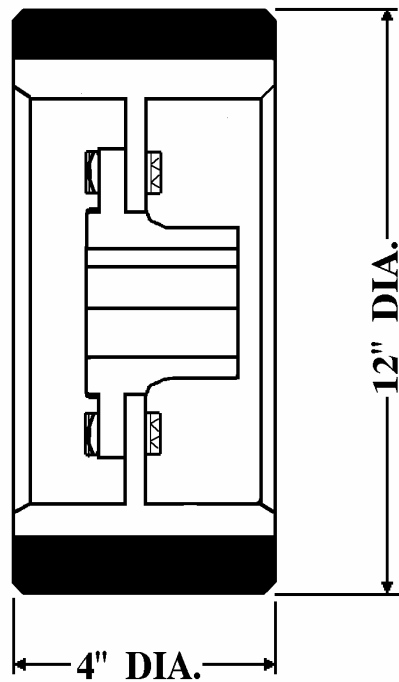
REPLACEMENT PARTS INC

Replacement Drive Tire Assembly

Designed to fit Twin City cranes.

Replacement Parts drive tires are bonded rubber to a cast iron rim or, per customer's specifications. The drive tire hub bores are 1 1/2" and 1 3/8".

Replacement Parts Part Number: DTA1240B1



DRIVE TIRE ASSY

12" X 4"

DTA1240B1

REF: Twin City Part Number - W1240

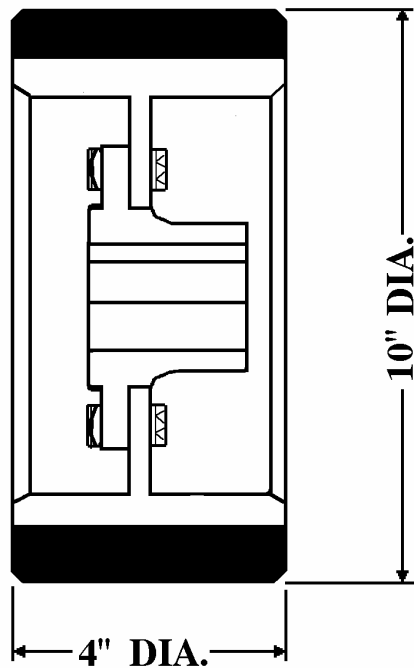
REPLACEMENT PARTS INC

Replacement Drive Tire Assembly

Designed to fit Twin City cranes.

Replacement Parts drive tires are bonded rubber or polyurethane bonded to a cast iron rim or, per customer's specifications. The drive tire hub bores are 1 1/2" and 1 3/8".

Replacement Parts Part New Number # DTA1040B4



DRIVE TIRE ASSY
10" X 4"
DTA1040B1

REF: Twin City Part Number - W1040